

expert® DC



Direct Power, Clear Images, Optimal Usability

- [Cone Beam 3D Imaging Systems](#)
- [Panoramic X-ray Systems](#)
- [Intraoral X-ray Systems](#)
- [Digital Intraoral Sensors](#)
- [Digital X-ray Phosphor Plates](#)
- [Intraoral Cameras](#)
- [Imaging Software](#)

GENDEX®
Imaging Excellence Since 1893



Gendex, with its legacy of providing quality radiographic systems, offers the expert DC. This direct current powerhouse, in contrast to AC units, delivers strong benefits for your practice: shorter exposures, reduced radiation, and truly consistent image quality. Its industry-leading focal spot of 0.4 mm creates significantly sharper images than other intraorals, regardless if you operate with digital sensors, PSP, or film.

Leading technology and daily dependability – the legendary Gendex reputation continues with the expert DC.

⇒ Proven Dependability

- Digital controls for safety and reliability
- Consistent imaging results

⇒ Sharper Images

- 0.4 mm focal spot creates sharper images than intraorals with the typical industry-standard focal spot of 0.7 mm
- Compatible with digital sensors, PSP, and a wide range of film speeds

⇒ Efficient Workflow

- Quickset™ tubehead controls for increased workflow efficiency
- Fully-programmable anatomical presets

expert® DC



Featuring the latest digital controls for safety and reliability to produce consistent imaging results

Proven Dependability

Coming from the manufacturer of the GX-770, the golden standard of reliability, the Gendex expert DC delivers peace of mind for your practice. A sophisticated electrical design and rigorous test procedures allow Gendex to continue to deliver consistent reliability, shorter exposure time and reduced radiation, all while maximizing image quality.

0.7 mm Focal Spot

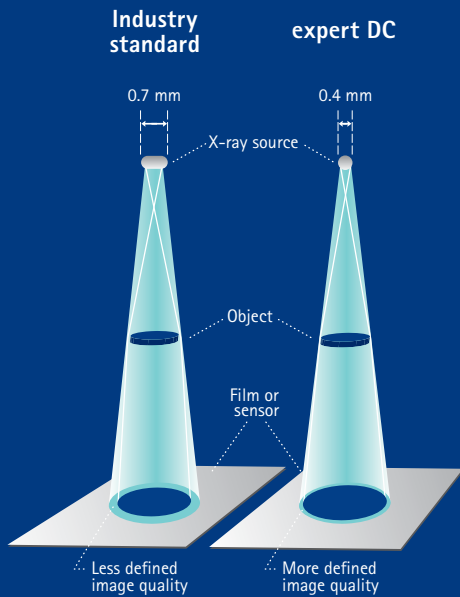


Less defined detail with the typical industry-standard focal spot of 0.7 mm

0.4 mm Focal Spot



Clear detail in DEJ, canals, PDL, and bone structures for improved diagnostics with the expert DC focal spot of 0.4 mm



Sharper Images

The expert DC's industry-leading focal spot of 0.4 mm creates significantly sharper images than other intraorals, regardless if you operate with digital sensors, PSP, or film. Its proven technology delivers consistent results with short exposures and maximizes image resolution by minimizing distortion. These features deliver radiographs with sharper detail for improved diagnostics.



Main control panel with programmable anatomical presets



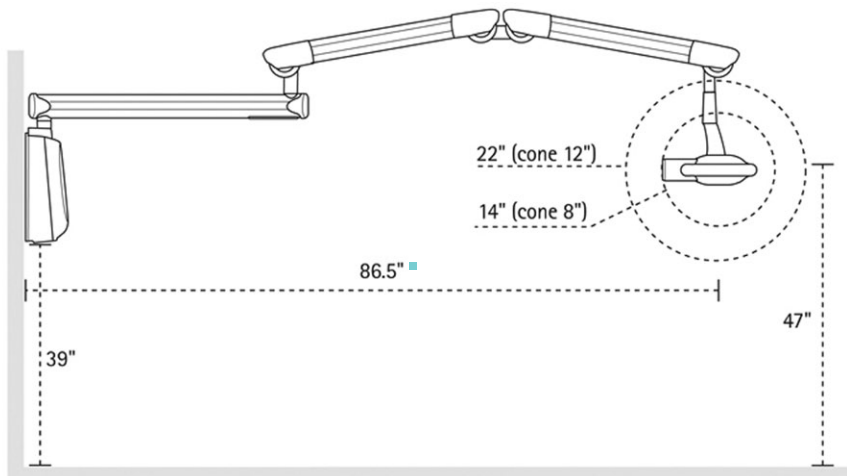
Quickset™ tubehead controls

Efficient Workflow

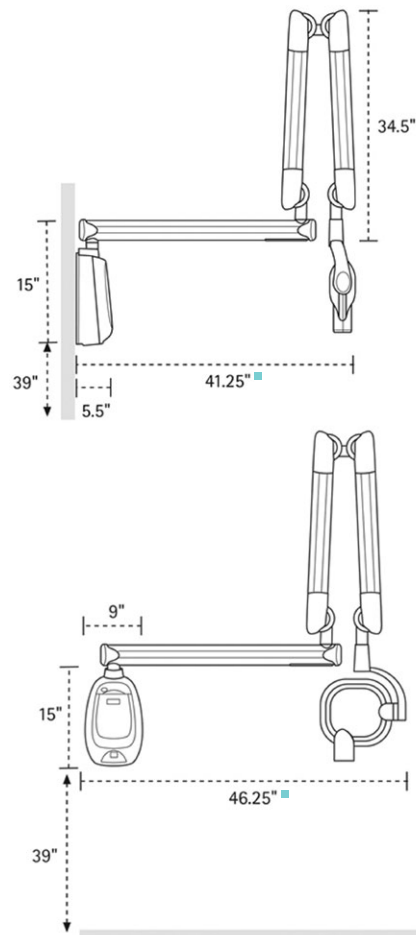
Gendex provides dental team members with practical solutions for maximum flexibility. The main control panel offers 21 exposure settings plus fully-programmable anatomical presets. In addition, the Quickset™ control presets are located on the x-ray tubehead.

Technical Specifications

Gendex expert® DC



■ NOTE: This dimension refers to the horizontal arm and is for expertDC75 models with 75" reach. For expertDC65 models, reduce the dimension by 10" (25.4cm). For expertDC55 models, reduce the dimension by 20" (50.8cm).



kV	65 kV fixed
mA	7 mA fixed
Focal spot	0.4mm IEC336
Exposure time	21 selections: 0.02 to 2.0 seconds
Duty cycle	1:30
Focal length	standard 8 in, optional 12 in
Line voltage	115V, 60 Hz or 230V, 50 Hz
Arm length	55", 65", 75" available
Warranty	2 years



Gendex Dental Systems
 1910 North Penn Road
 Hatfield, PA 19440 USA
 Tel 1-800-323-8029
 www.gendex.com