



# Dental-Microscopes from Kaps

From Professionals for Professionals



The ideal Instruments for  
conventional and modern dentistry



# SOM 32 dent

Ceiling Mounted

## No Compromise in Quality

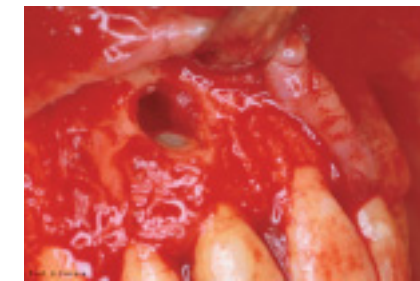
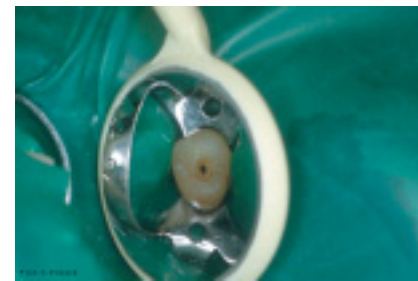
High magnification, excellent illumination and easy positioning of the Dental-Microscope are decisive in achieving the best possible treatment results with high success rates.

Remember: "Only what you can see, you can treat"

Only when all requirements are ideally combined in a Microscope, will it assist you to work ergonomically and to improve the quality of your work. We have been active in the dental field for over 10 years. Our cooperation with dentists around the world ensures that our Microscopes meet perfectly the requirements of the dental specialists.

SOM 32 dent Zoom/motorized focus

The balancing system and the binocular tilting tube (from 0-210 degrees) in combination with the tube rotation plate ensure the best possible working comfort and provide a relaxed upright sitting position, avoiding back-strain even at long treatment periods. The precise and stepless positioning of the Dental-Microscope is effortless.



Our three-beam coaxial fiber optic illumination, 15V/150W (Trilum), combined with the adjustable field diaphragm, evenly illuminates the whole field-of-view down to Spot-Illumination of approx. 10 mm diameter, thus providing ideal shadow-free illumination of a root-canal, while avoiding reflections coming from instruments.

The incorporated swing-in orange filter reduces premature hardening, especially when working with plastic fillings.

The combination of illumination together with our precision optics allows a relaxed observation with exceptional depth-of-focus. You will be surprised how images you know appear in three-dimensions under the microscope. Next to the standard microscope outfit with 5-step magnification changer, we offer a manual and a motorized 1:6 Zoom version.

SOM 62 dent manual



The integrated video camera in the beamsplitter (optional) provides effective patient information and documentation. On the monitor the dentist can explain to the patient diagnosis and treatment at every step of the procedure.

We offer the finest, fully functional microscopes with modular design. This enables maximum flexibility to eventually add accessories or upgrade features such as our precision balancing systems or the motorized zoom.

High mechanical precision and optical quality provides you with a dental microscope which is unique in its price-performance ratio.

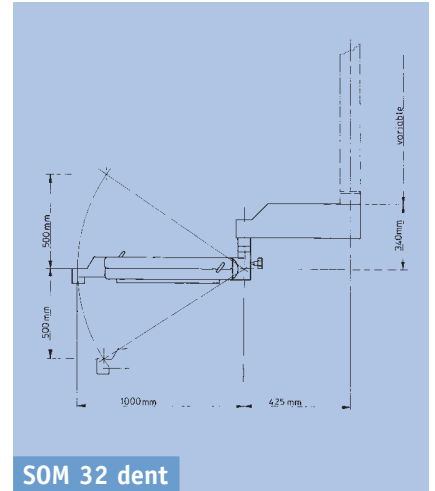
# SOM 62 dent

Mobile Stand

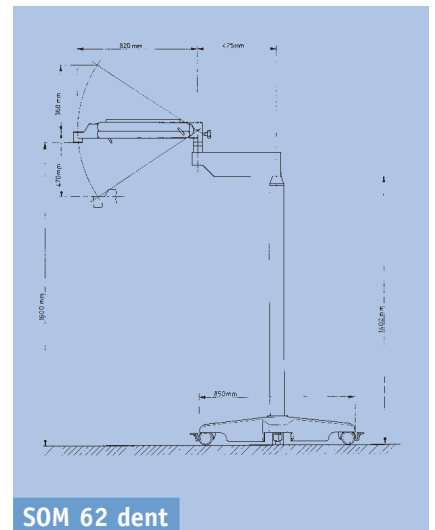


# Product Features

<b>Illumination</b>	Coaxial cold light Fiber Optic Illumination, 15V/150 W, with standby Replacement Lamp, Orange Filter and Spot Illumination
<b>Working Distance Objectives</b>	Interchangeable Objectives from $f = 200$ mm to $f = 400$ mm in steps of 50 mm
<b>Focusing Ranges</b>	<b>12 mm</b> with Focusing Objective $f = 200$ mm and $f = 250$ mm, <b>40 mm</b> manual and <b>40 mm</b> motorized
<b>Binocular Tubes/Oculars</b>	Wide-Angle Tilting Tube 0-60 degrees Wide-Angle Tilting Tube 0-210 degrees Wide-Angle Oculars for spectacle wearers WF 12.5 x or WF 10 x
<b>Magnification</b>	5-step Magnification Changer, Zoom 1:6 manual or Zoom 1:6 motorized



**SOM 32 dent**



**SOM 62 dent**

# Accessories

<b>Integrated Video Camera (Vision)</b>	1/4" CCD Color Video Camera, Y/C (S-VHS), FBAS (Composite), 752 (H) x 582 (V), PAL
<b>Photo, Video-Documentation</b>	Beamsplitter for one or both sides, TV-Tube for Color Video Cameras with C-mount connection. C-mount Digital Camera Adapter for connection of Digital Photo Cameras. Photo Tube for connection of 35 mm SLR-Cameras with T2-Adapter
<b>Binocular Rotation Plate</b>	The Binocular Rotating Plate enables an upright ergonomical sitting position, even when the Microscope Head is turned sideways
<b>45° Angle Optics</b>	For observation and illumination of hard-to-access operating areas

## Practice Integration

Floor Stand, Wall and Ceiling Mounts allow the integration of the Dental-Microscope into any Dental Practice with different room configurations.



since 1946

Karl Kaps GmbH & Co.KG • P.O. Box 12 25 • 35608 Asslar/Wetzlar  
Fon (+49) 64 41 8 07 04-0 • Fax (+49) 64 41 8 59 85  
www.kaps-optik.de • e-mail: info@kaps-optik.de